

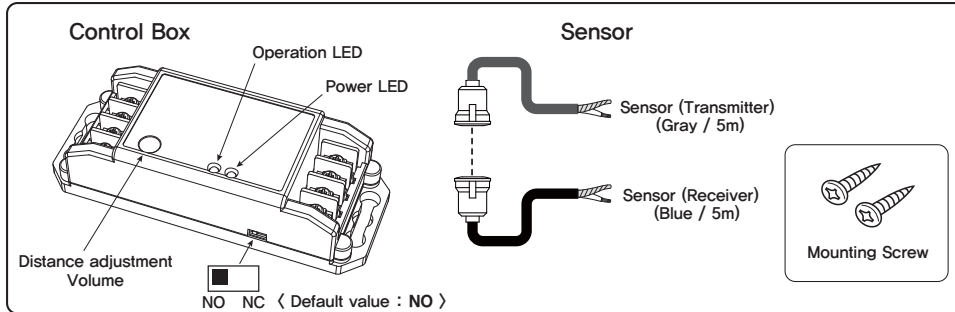
# Photoelectric Beam Sensor (SK-10DA)

## Instruction Manual

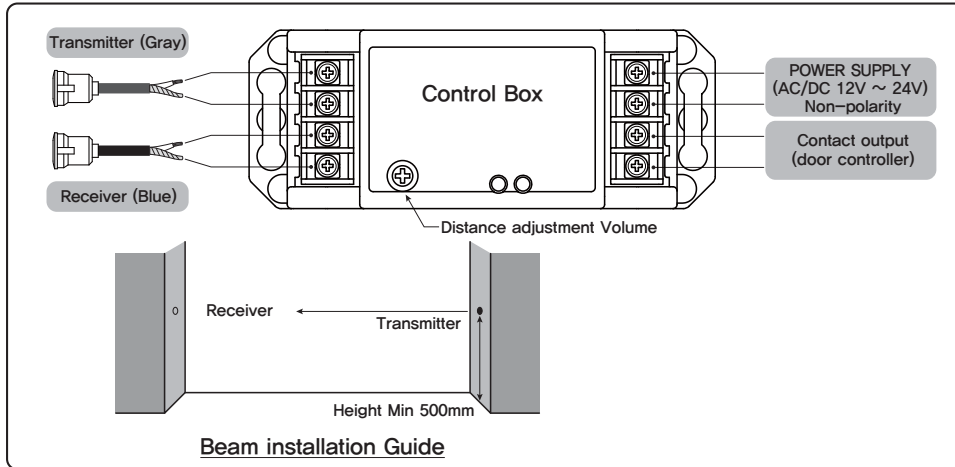


Thank you for purchasing this SK-10DA. This sensor is designed to detect intrusion to initiate an alarm, an door controller and so on. This sensor will provide long and dependable service when properly installed. Please read this instruction manual carefully for correct and effective use.

### 1 PARTS DESCRIPTION



### 2 WIRING



### 3 CAUTION

1. Supply the power of AC/DC 12V ~ 24V only with Non-polarity
2. Do not supply the power during engineering work of installation
3. Do not disassemble or modify the device, it may cause fire or electric shock.

### 4 SPECIFICATIONS

SK-10DA (Photoelectric Beam Sensor)		
Set	Transmitter & Receiver Wire	2 PCS (5m each)
	Transmitter & Receiver Sensor	1EA / 1EA
	Screw (4 x18)	2EA
	Manual	1Copy
Spec	Supply voltage	AC/DC 12V ~ 24V (Non-polarity)
	Relay contact capacity	24V/1A
	Operation Temperature	-20℃ ~ 50℃
	Working distance	10m Max
	Current consumption	Standby75mA / Active 100mA
	Weight	Control box 75g / Sensor 133g ( Including 5m cable)

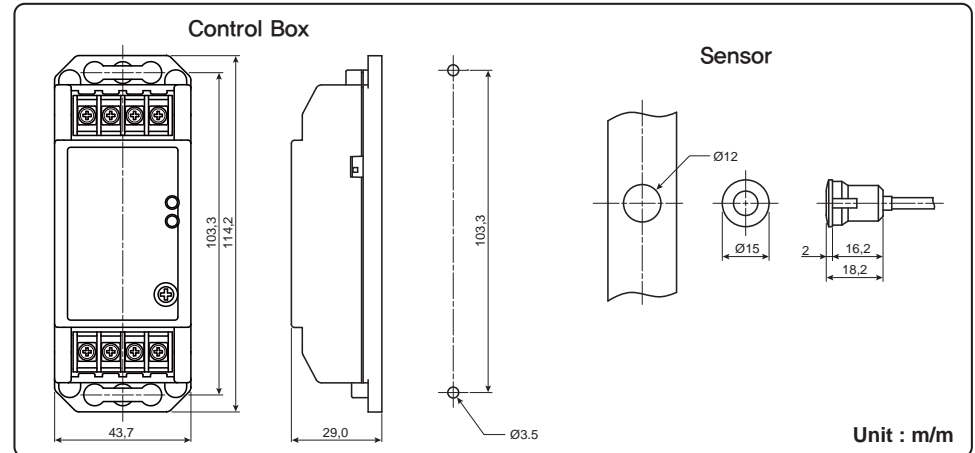
### 5 USER MANUAL

1. Make wiring as REF 2 and Install transmitter and receiver at the same height.
2. Supply power of AC/DC 12V ~ 24V and make sure that Power LED on the control box lights up
3. Operation LED lights up when beam is interrupted and goes out when beam is not interrupted.
4. Interrupt beam, and make sure that operation LED lights up and the connected devices work properly.

**Note)** Working distance is Min 15cm and Max 10m

In case operation LED goes off even though beam is interrupted, sensitivity may be too high.  
Reduce sensitivity by turning sensitivity adjustment volume.  
Make a hole  $\varnothing$  12mm(0.47") and clean away the rough hole edge.

### 6 EXTERNAL DIMENSIONS



Unit : m/m